

Construction

- Current-compensated ring core double choke with ferrite core
- Polycarbonate case
- Resin potting
- B82724-E without potting (eco choke)
- Sector winding

Features

- Case and potting flame-retardant as per UL 94 V-0
- High resonance frequency owing to special winding technique
- > 1 % stray inductance for symmetrical interference suppression

Applications

Application	Type
Electronic ballasts in lamps	B82721 B82722
Switch-mode power supplies in TV sets	B82721 ... B82725
Washing machines	B82724 B82725
Power supplies	B82724 B82725
Chargers	B82725


Terminals

- Pins 0,7 × 0,7 mm or 1 × 1 mm (B82725)
- Pins fitting standard PCB grid

Marking

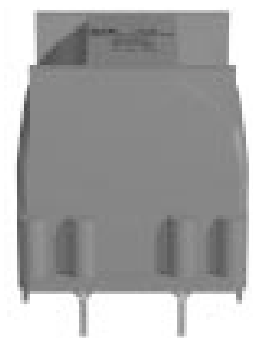
Ordering code, rated current, rated inductance, graphic symbol, mark of conformity, manufacturer, date code (except B82721)

Approvals

Marks of conformity	Standards
	VDE 0565-2 UL 1283 (except B82724-E)



Example of horizontal version



Example of vertical version

Selector guide

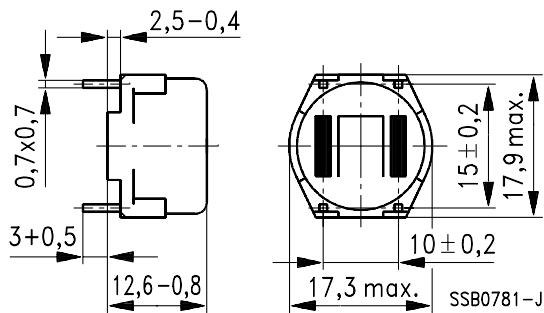
Type	B82721-A B82721-K	B82722-A B82722-J	B82723-A B82723-J	B82724-A B82724-J	B82724-E	B82724-B	B82725-A	
Page	182	183	184	185	186	187	188	
Rated current I_R , 50 Hz A	Rated inductance (mH) DC resistance per winding (mΩ)							
0,3			47 2500					
0,4	39 2000	27 1700						
0,5		18 1500	27 1200	56 2200	82 2700	82 2100		
0,7		10 600						
1,0			10 480	27 750	33 810	33 650	47 880	68 1300
1,2		6,8 280						
1,4					27 500	27 370		
1,5		3,3 180						
2,0		1,0 90	2,2 130	5,6 160	6,8 190	6,8 190	10 230	18 350
2,6		0,4 60						
3,0			1,2 56					
3,6		0,4 35						
4,0				2,7 60	3,3 66	3,3 55	3,9 58	6,8 87
6,0							1,8 23	3,9 41
8,0								2,7 22
10								1,8 14

Special ratings on request

Outline drawings

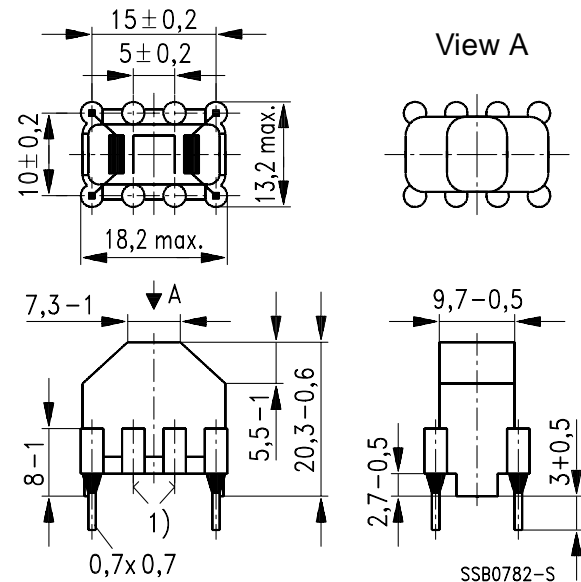
B82721-A

Horizontal version



B82721-K

Vertical version



Technical data

Rated voltage V_R	250 Vac
Test voltage V_p	1500 Vac, 2 s (line/line)
Rated current I_R	Referred to 50 Hz and 40 °C ambient temperature
Inductance tolerance	± 30 %
Weight	approx. 10 g

For further technical data [see page 179](#). For impedance = f (f) [see page 189](#).

Characteristics and ordering codes

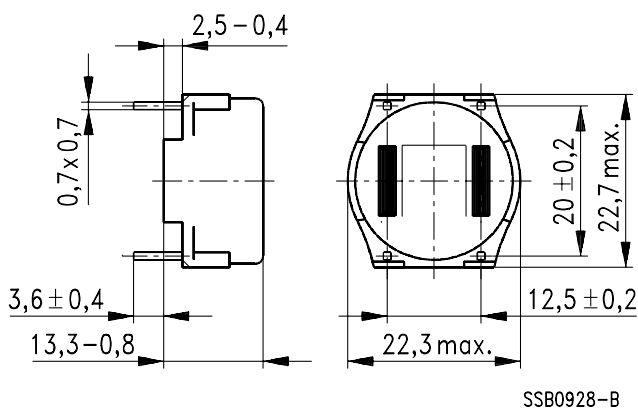
I_R A	L_R mH	$L_{S, typ}$ μH	R_{typ} mΩ	Ordering code	
				Horizontal version	Vertical version
0,4	39	450	2000	B82721-A2401-N20	B82721-K2401-N20
0,4	27	270	1700	B82721-A2401-N21	B82721-K2401-N21
0,5	18	260	1500	B82721-A2501-N1	B82721-K2501-N1
0,7	10	90	600	B82721-A2701-N20	B82721-K2701-N20
1,2	6,8	70	280	B82721-A2122-N20	B82721-K2122-N20
1,5	3,3	37	190	B82721-A2152-N1	B82721-K2152-N1
2,0	1,0	13	90	B82721-A2202-N1	B82721-K2202-N1
2,6	0,4	6	60	B82721-A2262-N1	B82721-K2262-N1
3,6	0,4	6	35	B82721-A2362-N1	B82721-K2362-N1

1) Vertical chokes with lead spacing 5 mm × 10 mm on request

Outline drawings

B82722-A

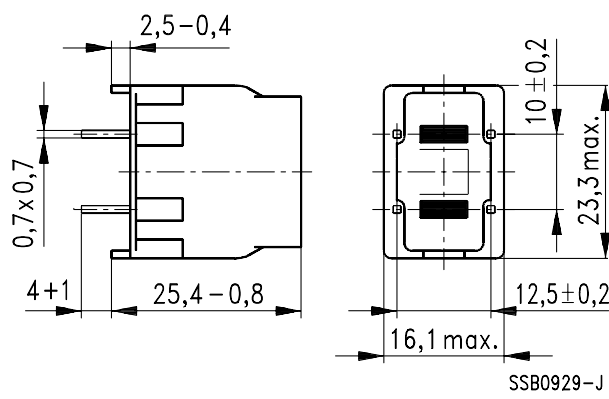
Horizontal version



SSB0928-B

B82722-J

Vertical version



SSB0929-J

Technical data

Rated voltage V_R	250 Vac
Test voltage V_p	1500 Vac, 2 s (line/line)
Rated current I_R	Referred to 50 Hz and 60 °C ambient temperature
Inductance tolerance	± 30 %
Weight	approx. 10 g

For further technical data [see page 179](#). For impedance = f (f) [see page 189](#).

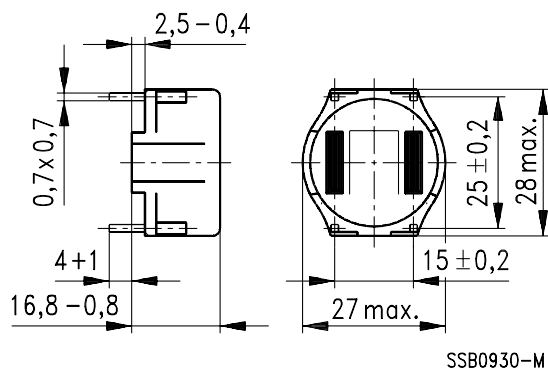
Characteristics and ordering codes

I_R A	L_R mH	L_S , typ μ H	R_{typ} m Ω	Ordering code	
				Horizontal version	Vertical version
0,3	47	760	2500	B82722-A2301-N1	B82722-J2301-N1
0,5	27	430	1200	B82722-A2501-N1	B82722-J2501-N1
1	10	140	480	B82722-A2102-N1	B82722-J2102-N1
2	2,2	30	130	B82722-A2202-N1	B82722-J2202-N1
3	1,2	17	56	B82722-A2302-N1	B82722-J2302-N1

Outline drawings

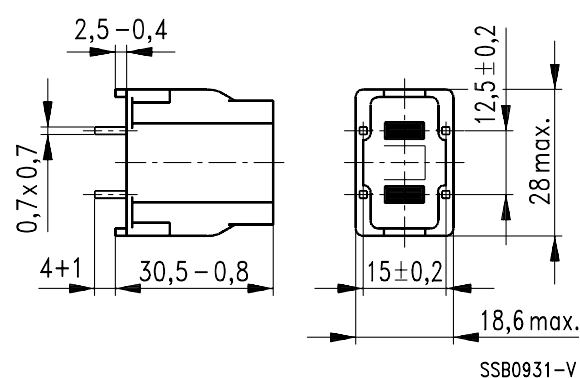
B82723-A

Horizontal version



B82723-J

Vertical version



Technical data

Rated voltage V_R	250 Vac
Test voltage V_p	1500 Vac, 2 s (line/line)
Rated current I_R	Referred to 50 Hz and 60 °C ambient temperature
Inductance tolerance	± 30 %
Weight	approx. 15 g

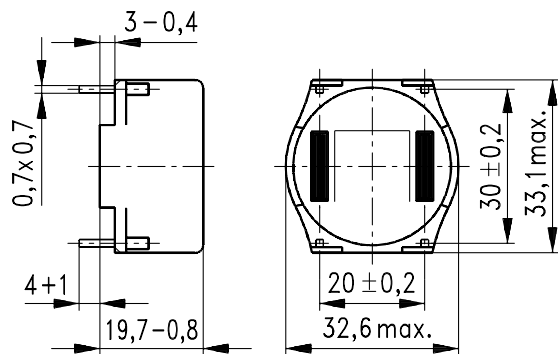
For further technical data [see page 179](#). For impedance = f (f) [see page 189](#).

Characteristics and ordering codes

I_R A	L_R mH	L_S , typ μH	R_{typ} mΩ	Ordering code	
				Horizontal version	Vertical version
0,5	56	870	2200	B82723-A2501-N1	B82723-J2501-N1
1	27	440	750	B82723-A2102-N1	B82723-J2102-N1
2	5,6	80	160	B82723-A2202-N1	B82723-J2202-N1
4	2,7	30	60	B82723-A2402-N1	B82723-J2402-N1

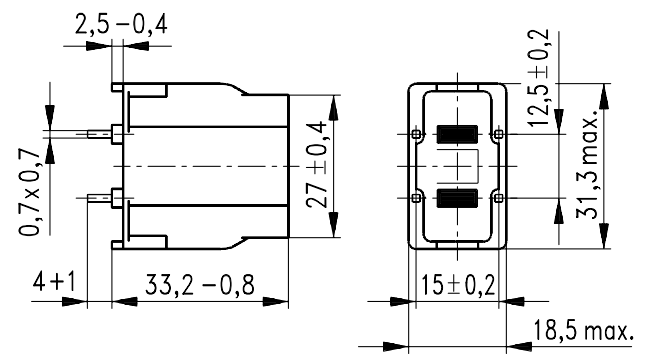
Outline drawings

B82724-A
 Horizontal version



SSB0932-4

B82724-J
 Vertical version



SSB0933-C

Technical data

Rated voltage V_R	250 Vac
Test voltage V_p	1500 Vac, 2 s (line/line)
Rated current I_R	Referred to 50 Hz and 60 °C ambient temperature
Inductance tolerance	± 30 %
Weight	approx. 25 g

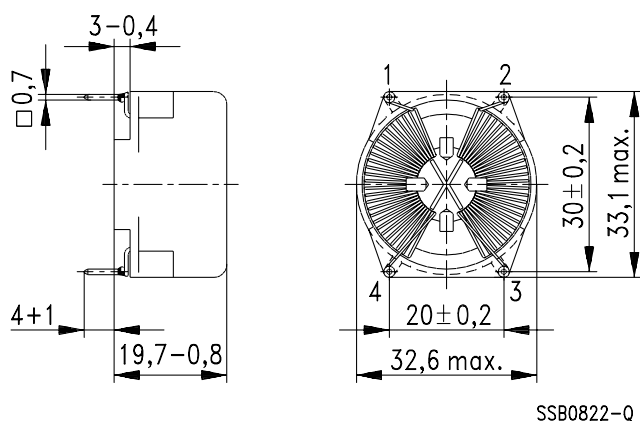
For further technical data [see page 179](#). For impedance = f (f) [see page 190](#).

Characteristics and ordering codes

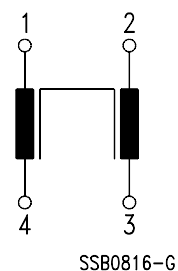
I_R A	L_R mH	L_S , typ μH	R_{typ} mΩ	Ordering code	
				Horizontal version	Vertical version
0,5	82	1000	2700	B82724-A2501-N1	B82724-J2501-N1
1	33	420	810	B82724-A2102-N1	B82724-J2102-N1
1,4	27	310	500	B82724-A2142-N1	B82724-J2142-N1
2	6,8	80	190	B82724-A2202-N1	B82724-J2202-N1
4	3,3	40	66	B82724-A2402-N1	B82724-J2402-N1

Choke without potting and glue (eco choke)
Recyclable
Better RF properties than potted standard chokes

Outline drawing



Pin configuration



Technical data

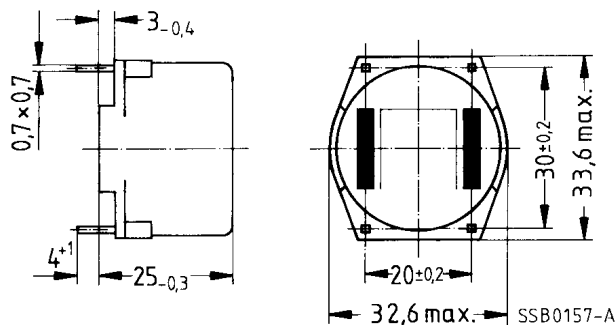
Rated voltage V_R	250 Vac
Test voltage V_p	1500 Vac, 2 s (line/line)
Rated current I_R	Referred to 50 Hz and 40 °C ambient temperature
Inductance tolerance	- 30/ + 50 %
Weight	approx. 25 g

For further technical data [see page 179](#). For impedance = f (f) [see page 190](#).

Characteristics and ordering codes

I_R A	L_R mH	$L_{S, typ}$ μH	R_{typ} m Ω	Ordering code
0,5	82	950	2100	B82724-E2501-N1
1	33	400	650	B82724-E2102-N1
1,4	27	280	370	B82724-E2142-N1
2	6,8	75	190	B82724-E2202-N1
4	3,3	35	55	B82724-E2402-N1

Outline drawing



Technical data

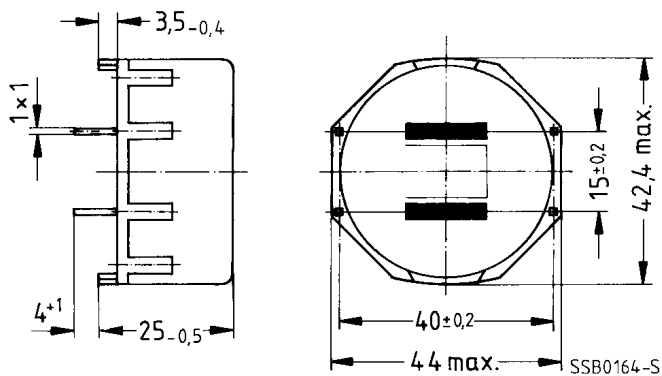
Rated voltage V_R	250 Vac
Test voltage V_p	1500 Vac, 2 s (line/line)
Rated current I_R	Referred to 50 Hz and 60 °C ambient temperature
Inductance tolerance	$\pm 30 \%$
Weight	approx. 40 g

For further technical data [see page 179](#). For impedance = f (f) [see page 190](#).

Characteristics and ordering codes

I_R A	L_R mH	L_S , typ μ H	R_{typ} m Ω	Ordering code
1	47	550	880	B82724-B2102-N1
2	10	110	230	B82724-B2202-N1
4	3,9	40	58	B82724-B2402-N1
6	1,8	16	23	B82724-B2602-N1

Outline drawing



Technical data

Rated voltage V_R	250 Vac
Test voltage V_p	1500 Vac, 2 s (line/line)
Rated current I_R	Referred to 50 Hz and 60 °C ambient temperature
Inductance tolerance	± 30 %
Weight	approx. 60 g

For further technical data [see page 179](#). For impedance = f (f) [see page 190](#).

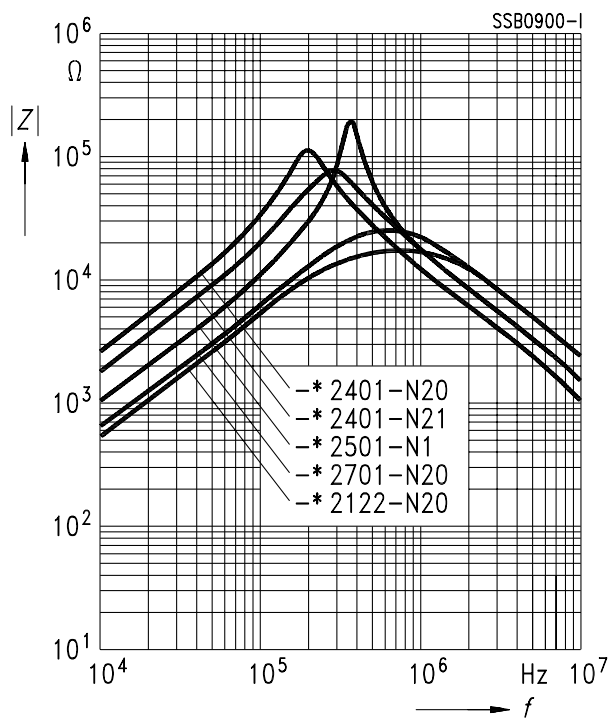
Characteristics and ordering codes

I_R A	L_R mH	$L_{S, typ}$ μH	R_{typ} mΩ	Ordering code ¹⁾
1	68	900	1300	B82725-A2102-N1
2	18	230	350	B82725-A2202-N1
4	6,8	80	87	B82725-A2402-N1
6	3,9	45	41	B82725-A2602-N1
8	2,7	30	22	B82725-A2802-N1
10	1,8	20	14	B82725-A2103-N1

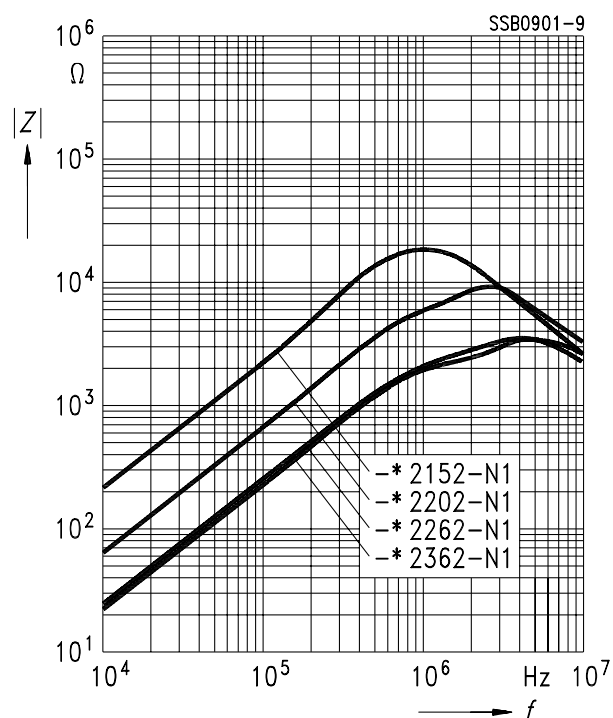
1) Chokes with 8 pins on request

Impedance $|Z|$ versus frequency f
 (measured with windings in parallel)

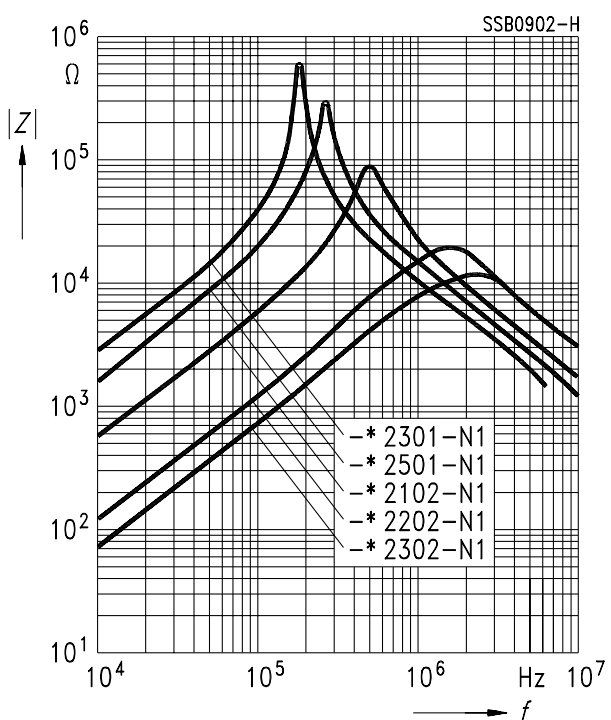
B82721-*
 * = A or K



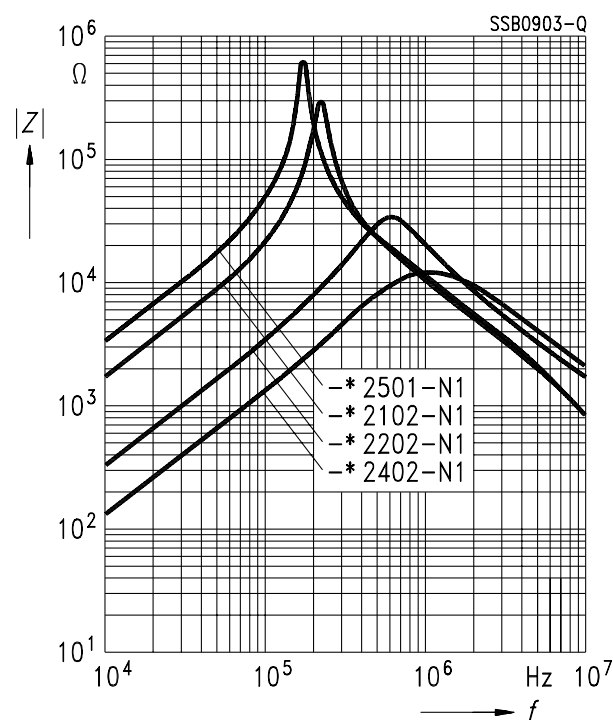
B82721-*
 * = A or K



B82722-*
 * = A or J



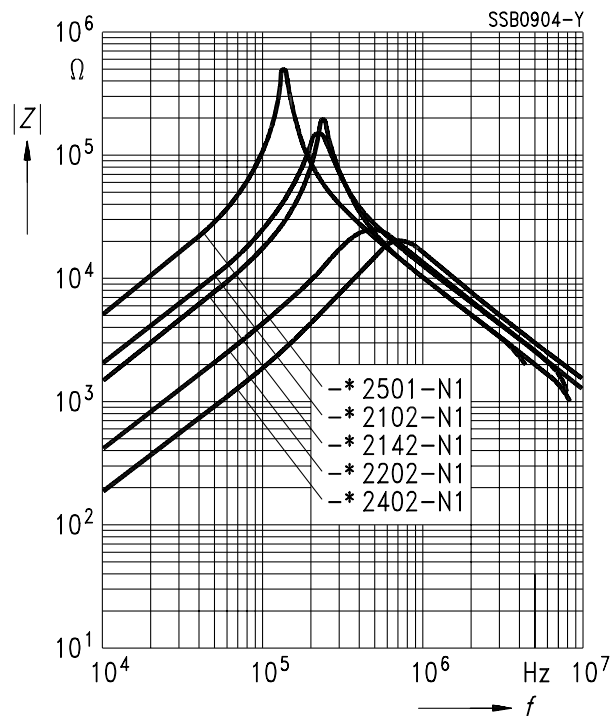
B82723-*
 * = A or J



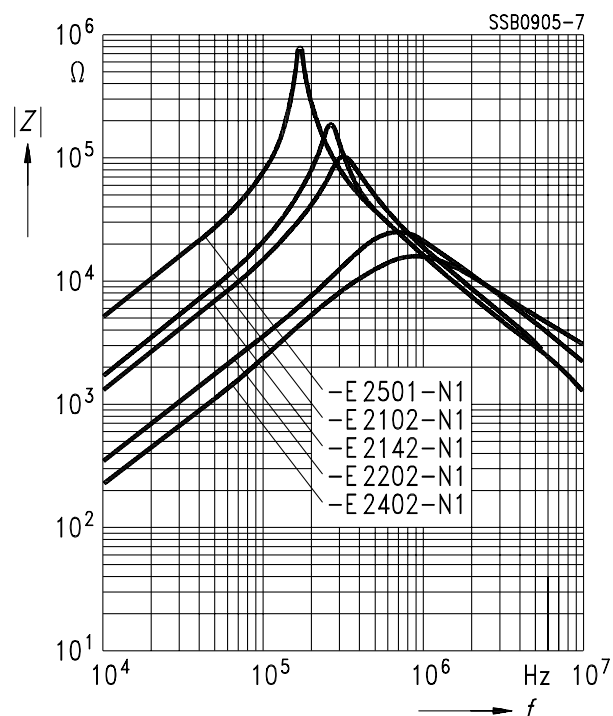
Impedance $|Z|$ versus frequency f
 (measured with windings in parallel)

B82724-*

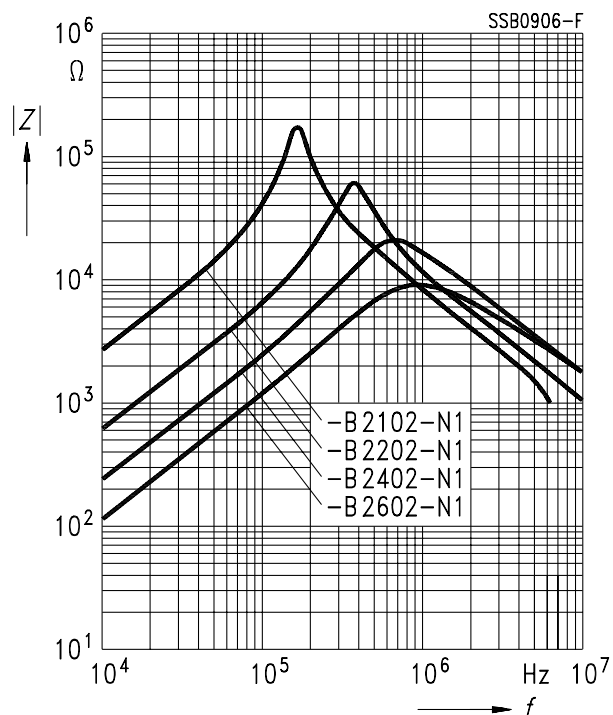
* = A or J



B82724-E



B82724-B



B82725-A

